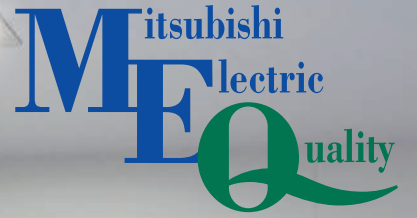




**MITSUBISHI
ELECTRIC**

HAND DRYER

Changes for the Better



Jet Towel™



SMART SERIES

NEW



NEW 9TH GENERATION
SLIM SERIES

Drying hands more quietly, more quickly
and with less energy since 1993.



* NSF certified models: JT-SB216JSH2,
JT-SB216KSN2, JT-S2AP, and JT-S2A

for a greener tomorrow



Mitsubishi Electric

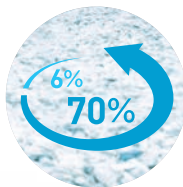
Over 90 years of excellence

From pushing the limits of precision in microelectronics to producing cutting-edge satellites, Mitsubishi Electric has built a reputation as an innovator of key technologies and for use in outer space achieved amazing technological feats in a wide range of fields. With nearly a century's worth of experience coupled with a philosophy of uncompromising quality, Mitsubishi Electric is the company to count on.

Just a few of our achievements



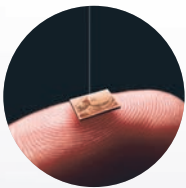
Power Semiconductors
DIPIPMs are compact power semiconductors that realize dramatically enhanced efficiency. Used in home appliances and other diverse applications, they contribute to significant energy savings.



Large-scale, High-purity Plastic Recycling
Our recycling technologies recover up to 70% of plastic for use in new products. Typically, only about 6% is recoverable.



Compact EV motor drive systems
Our 60kW electric vehicle (EV) motor drive prototype, with a reduced cubic volume of 14.1 liters, is the smallest in its class.



Hole-piercing Laser-processing Technologies for Printed Circuit Boards
High-speed, precise laser processing enables printed circuit boards to be pierced at 4,500 holes per second; an FA technology supporting the evolution of smartphones.



Transforming Equipment Development Technologies
We verify the reliability of our transforming equipment by simulating severe natural environments, including extreme cold/heat, lightning strikes and earthquakes at the world's largest testing facilities.



1921
Mitsubishi Electric is branched off from Mitsubishi Corporation as a separate identity



1990
Launched world's first commercial car navigation system incorporating GPS



1928
E52, the first large-scale electric locomotive produced in Japan



2000
Introduced MISTY® technology as encryption standard for 3rd-generation mobile phones



1935
Commencement of elevator and escalator production



2007
Completed 173-meter-tall elevator testing tower (world's tallest at the time)



1953
Launched first commercial television



2008
Launched SUPERBIRD-C2, Japan's first domestically produced commercial satellite



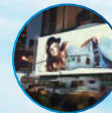
1964
Produced radar equipment for the weather station atop Mt. Fuji



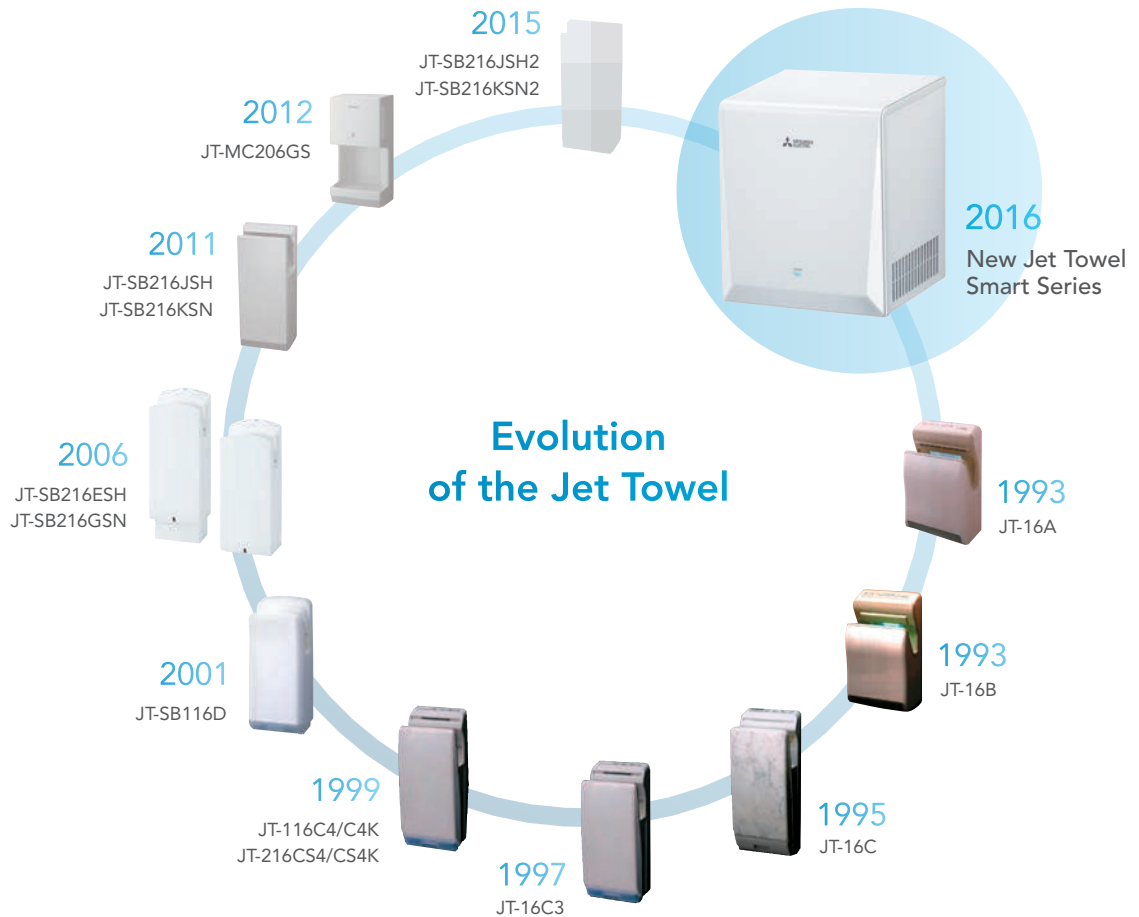
2011
Debut of "Hayabusa" Series E5, holder of the Japanese speed record for a train



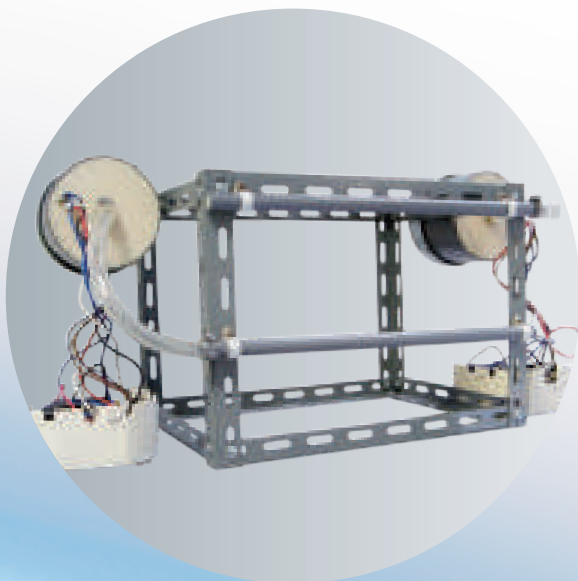
1980
Debut of Diamond Vision display at Dodger Stadium in the United States



2014
Unveiled world's largest full ultra-HD video display* in Times Square, New York City
*As of Nov. 18, 2014 (based on total area)

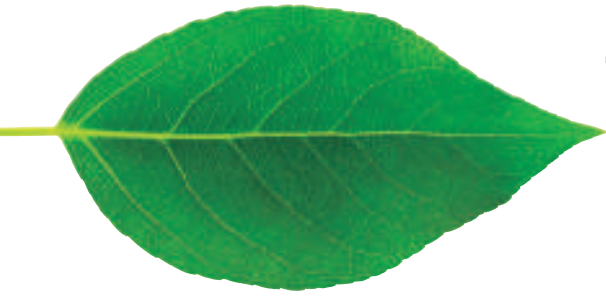


The World's First High-speed Jet Hand Dryer



The first concept model for the Jet Towel (1992)

In 1992, new advances in compact DC brushless motor technology were developed at the Nakatsugawa Works, a Mitsubishi Electric factory located in Central Japan. While thinking of applications for the new motor, engineers came up with the novel idea of using high-powered jets of air to rapidly blow water off of the hands instead of relying on evaporation like conventional electric dryers. As a result, the Jet Towel was officially released in 1993 and hand drying has not been the same ever since.



The Greener Choice

Eliminate the Problems of Paper Towel Maintenance



Economical

The cost of constantly replacing paper towels each day can be staggering. Because the Jet Towel only uses electricity to operate, operating cost is significantly lower.



Eco-friendly

The Jet Towel does not create any waste, eliminating the trouble of waste disposal and conserving forest resources at the same time. Switching to the Jet Towel sends a positive message to the users about a facility's attitude towards the environment.

97%

Approximate reduction in running cost

Assumptions: 1. Electricity rate of €0.21/kWh, 2. 2 paper towels consumed per use, at €0.01/towel. Excludes cleaning and paper garbage disposal costs.

*Calculated with JT-SB216JSN2 specifications

Zero Waste



Eliminate the mess and cost of paper towels



Easy Maintenance

Paper towels need to be constantly refilled and paper garbage removed throughout the day. Jet Towels require minimal maintenance, freeing up service staff to do other important tasks.



High User Satisfaction

Empty paper towel dispensers and overflowing garbage cans create a negative impression on restroom users. Jet Towels never "run out" and dry hands in about the same amount of time.



The Performance Pick

Mitsubishi Electric Jet Towels —
The obvious choice

Outstanding Performance

9-11 sec

High speed

High-speed settings,
heater on

550 W

Energy-saving

Standard speed settings,
heater off

56 dB

Low noise

Standard speed settings

*JT-SB216JSH2 specifications

Amazingly quick and quiet hand dryers

The noise of a hand dryer can be very distracting, especially in quiet environments such as offices, schools, or hotels. Leave it to Mitsubishi Electric to design products that not only dry hands quickly, but do it quietly as well. Over 20 years of experience, numerous design improvements, and new technological developments have led to the quietest Jet Towels yet. A mere 56dB when using the standard speed setting, the Slim model is even quieter than an average conversation!

Comfortable use for anyone

People come in all shapes and sizes. From small children and adults to those in wheelchairs, Jet Towels can accommodate any user. Hand drying areas are large and roomy, and air speeds are kept at a reasonable level for comfortable drying. Who would want their hands blown against a dryer wall?

Energy efficient too!

As the pioneer of high-speed hand drying, Mitsubishi Electric knows that it is not the most energy efficient to focus on only air speed to improve performance. Instead, Jet Towel evolution has proceeded along the more sensible route — researching smarter nozzle designs and striking the right balance between air speed and volume for greater drying efficiency. Throw in the high quality and long reliability that Mitsubishi Electric is known for, and you'll find a no-brainer investment.

Jet Towel Product Lineup

The product lineup has expanded with the addition of the all-new Jet Towel Smart Series. These hand dryers are compact, durable, and powerful, making them suitable for a wide range of applications. In addition, the original "slim" type has been further improved, for even quieter operation.

From offices and airports to schools and nursing homes, there is a Jet Towel suitable for every restroom.

New 9th generation dual-nozzle flagship model

Jet Towel Slim



with heater

JT-SB216JSH2

White / Silver / Gray

w/o heater

JT-SB216KSN2

White

- Amazingly quiet at 56dB (operating at standard speed)!
2dB improvement over previous model
- Stronger front and back panels for greater impact resistance



NEW
SERIES

Compact but powerful, with a protective metal cover

Jet Towel Smart

with heater

JT-S2AP

White / Silver

A heater-less version of the Jet Towel Smart,
with a highly durable plastic cover

Jet Towel Smart Lite

w/o heater

JT-S2A

White

- High-speed drying with low energy use and quiet operation
- Robust, tamper-resistant body (JT-S2AP equipped with metal cover)
- Quick 0.1sec response time improves user experience



User-friendly and installs almost anywhere

Jet Towel Mini

JT-MC206GS

White

- Compact body fits almost any size restroom
- Large drying space and water-catching tray makes it ideal for use by children and people in wheelchairs



Mitsubishi Electric Quality — The difference is in the details

Hygienic features

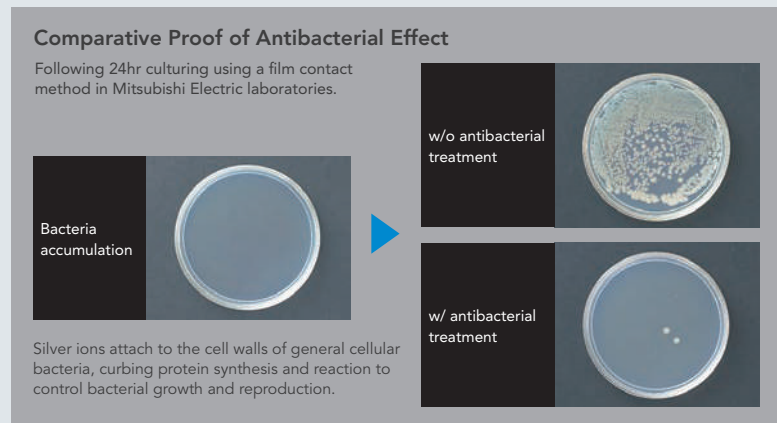
Certified by NSF International

NSF International, an independent third-party public safety health and standards organization, has certified Jet Towels to be compliant to its rigorous requirements (NSF/ANSI 169).



Antibacterial Plastics

The plastics used in Jet Towels curb the growth of bacteria on the surface. The secret is the metal ions added into the resin, which work to inhibit the functions of bacteria and reproductive growth.



No-touch Design

Jet Towels are activated automatically when hands pass through infrared sensors in the spacious drying area. Compared to competitors' products, Jet Towels are designed with lower airspeeds to avoid blowing users' hands against the wall of the unit.

Safe for Alcohol Cleaning

Normal plastics react with alcohol, which can result in cracking and damage. Jet Towels use high-grade plastic that can be safely cleaned with cleansers containing alcohol (less than 83% ethanol content).

*Excluding the front panels of JT-SB216JSH2-S-NE and JT-S2AP-S-NE



Mitsubishi Electric quality

High-quality Motor

The high-precision motors used in Jet Towels are developed and manufactured to strict specifications entirely at Mitsubishi Electric. In-house testing results estimate a motor life of over seven years for the Slim, Smart and Mini models.

*Motor life varies with frequency of use. Estimates calculated based on 400 users per day for JT-SB216JSH2, 200 uses per day for JT-MC206GS, and 120 uses per day for JT-S2A/S2AP.



High level of safety

Separated Air Intake

In all models, the air intake is located separately from the output nozzles to reduce the risk of water intake.

Metal Enclosure

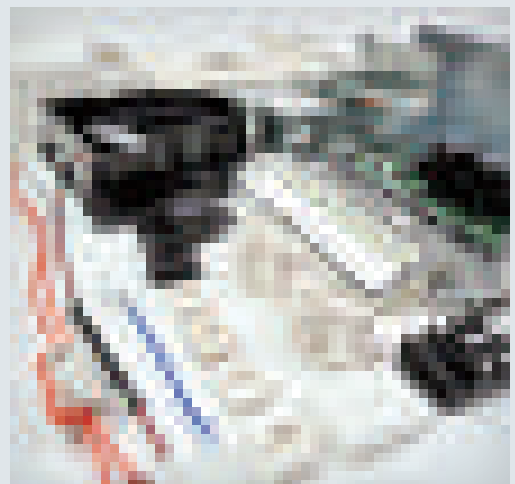
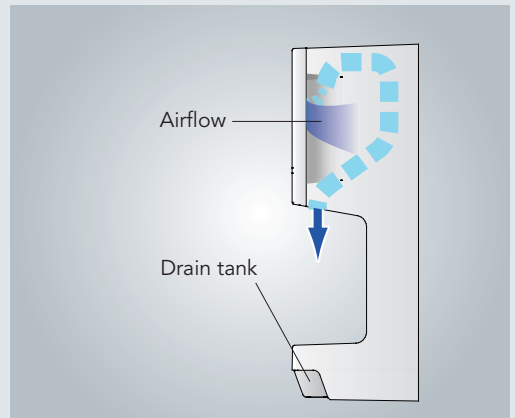
High-voltage circuit boards are completely covered by a protective metal enclosure. In the highly unlikely event of a fire occurring, flames are sealed in and cannot spread outside of the barrier.

Fire-resistant Parts

Internal parts are made from flame-resistant UL94V-0 and UL94V-5VA-grade materials to prevent fire.

Temperature and Current Fuses

Multiple fuses located throughout the unit protect the user from over-current and over-heating. Operation is halted instantly if conditions are abnormal.



	NSF certified	Antibacterial plastic	No-touch design	Alcohol-safe	Drain tank	Motor type	Metal circuit board enclosure	Fire-resistant parts	Safety fuses
Jet Towel Slim	●	●	●	●	●	DC brushless	●	●	Thermal fuses / Current fuses
Jet Towel Smart / Smart Lite	●	●	●	●	●	AC commutator	●	●	
Jet Towel Mini		●	●	●	●	AC commutator	●	●	

New 9th Generation Slim Series

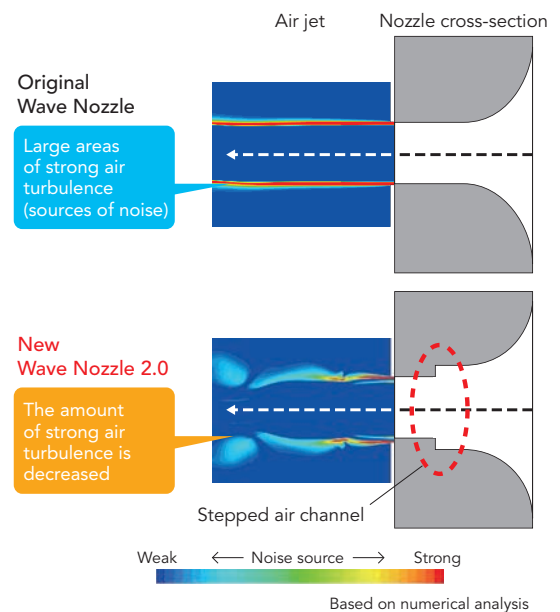
The latest evolution of the original dual-jet hand dryer



Ultra-quiet operation

New Wave Nozzle 2.0

The patented wave nozzle has been further improved. Developed from fluid control technology, sound-causing turbulence has been further decreased, achieving a large 2dB reduction in noise.





- Antibacterial surfaces*¹
- Designed for alcohol cleaning*¹
- Quiet operation 56dB
- Drain tank
- Dual air nozzles
- Reinforced front and back panels
- PTC heater*²

*1 Excluding front panel of JT-SB216JSH2-S-NE
 *2 Available for JT-SB216JSH2

Comfortable to use

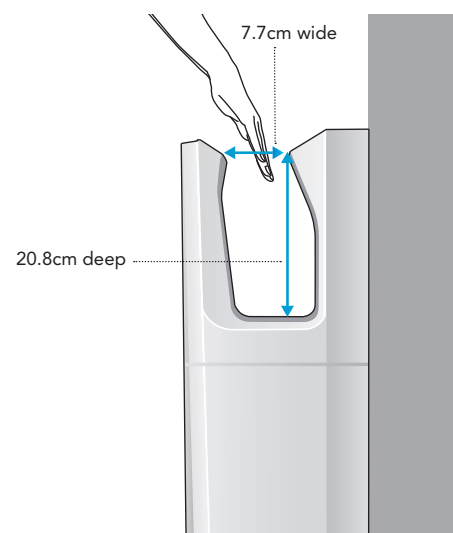
Large 6.8L Drying Area

The space to insert hands is a wide 7.7cm at the narrowest point and 20.8cm deep. The large drying area makes it easier to dry hands without accidentally touching the unit.

Child-friendly Design

Alternate child sensors are placed inside of the drying area to detect small hands entering from the sides.

■ Open-side design



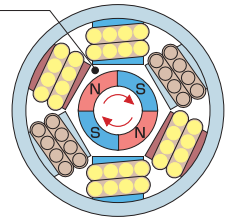
Long-lasting reliability

High-efficiency Brushless DC Motor

This high-precision motor is completely developed and manufactured entirely by Mitsubishi Electric. In-house testing results show a motor life of over seven years of use (400 uses per day).

■Brushless DC Motor

Contact-free rotor eliminates wear and tear.



Reinforced Protective Panels

Newly designed front and back panels make the new Jet Towel Slim more robust and impact-resistant. The panels have been tested to withstand an impact of up to 15J, or the equivalent of dropping a 1kg steel ball from a height of approximately 1.5 meters.

Simplified maintenance

0.8L Drain Tank Keeps Floors Dry

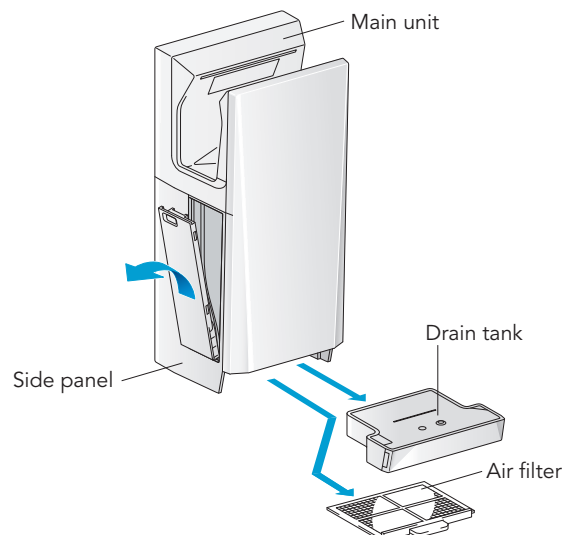
Water blown from hands is caught and channeled into a convenient drain tank for easy removal. It stores up to approximately 800 uses (0.8L), and requires only periodic emptying and quick rinsing. In the 9th-generation model, the drain tank is the same color as the body, making it less conspicuous to prevent tampering.



A small window indicates the level of water collected.

Easy Access Air Filter and Drain Duct

The washable air filter and drain duct are easily accessible, making quick and thorough cleaning possible. No tools or time-consuming disassembly required.



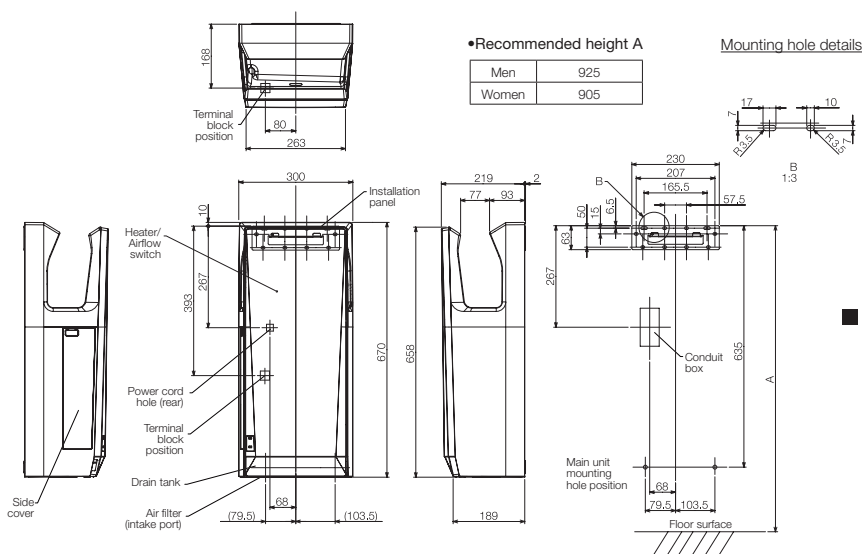
Specifications

	Power supply	Mode	Heater	Drying time*1 (sec)	Power consumption(W)	Noise*2 (dB)	Motor type	Hygienic features	External dimensions (mm)	Weight (kg)	Drain tank (L)
Jet Towel Slim JT-SB216JSH2	220-240V 50-60Hz	High	ON	9-11	1240	59	Brushless DC	- Antibacterial surfaces - NSF certification - Alcohol-cleanable	Width: 300 Depth: 219 Height: 670	11	0.8
			OFF	11-13	720						
		Standard	ON	11-13	1070	56					
			OFF	13-15	550						
Jet Towel Slim JT-SB216KSN2		High	—	11-13	720	59					
		Standard	—	13-15	550	56					

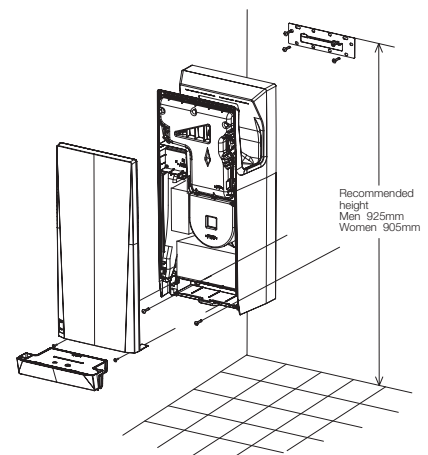
*1 Time needed to reduce remaining water to 50mg or less per hand (in-house study).

*2 Measurements made in anechoic chamber at a distance of 2m.

■ Dimensions



■ Mounting Diagram



- For fastening main unit mounting screws, use a Phillips(+) screwdriver with a shaft length of at least 150mm.
- Mount the unit so that the left-side cover is removable and the rating label is visible. (At least 150mm, but 200mm or more is recommended. Embedded portion is excluded.) Allow 200mm or more to enable the water drainage duct to be checked after cleaning.
- Allow at least 130mm between the bottom surface (air-intake port) of the unit and the floor surface.

(Unit: mm)

Jet Towel Smart

The latest evolution of the original dual-jet hand dryer



*Jet Towel Smart Lite available only in white

Smarter drying

— Industry Top-class Drying Performance and Energy Efficiency

The engineers at Mitsubishi Electric have simultaneously achieved amazing 9-12sec drying performance and the lowest power consumption in Jet Towel history.

	Jet Towel Slim	Jet Towel Mini	Jet Towel Smart
Energy consumption (Per 100 uses)	0.31 kWh	0.30 kWh	0.25 kWh

*Energy consumption calculated with the following assumptions: input voltage of 240V, heater on, and at high power settings. Standby power consumption not included in calculation.

Tough exterior

The protective steel outer shell and ABS plastic body are designed to take quite a beating. They have been tested to withstand 15J, which is more than two times the energy of an average impact*. The IPX-3 rating for water resistance means that it is also protected against water infiltration from spraying water.

*Mitsubishi Electric estimates





- Antibacterial surfaces*1
- Designed for alcohol cleaning*1
- Quiet operation 58dB
- Robust design
- Quick start 0.1sec response
- Protective steel shell*2
- PTC heater*2

*1 Excluding front panel of JT-S2AP
 *2 Available for JT-S2AP models

Comfortable to use

Large Drying Area

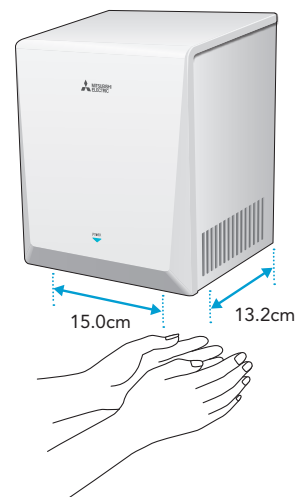
With 13.2cm between the air nozzles and the wall, there is even more than enough space for large hands to dry comfortably.

0.1sec Quick Response

Optimized hand sensors quickly react to users' input for a more positive user experience. It takes less than 0.1sec for the unit to detect hands and begin dispensing air.

15cm Wide Nozzle

The wide nozzle spreads airflow across a large area, enabling both hands to be covered at the same time.



Other smart features

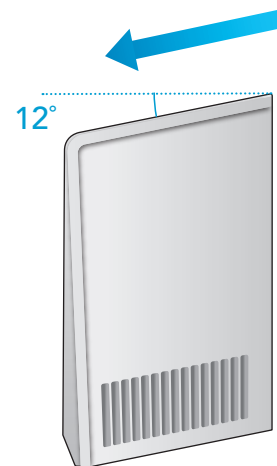
Easy Air Filter Maintenance

The air filter is important as it prevents excess dust and dirt from accumulating inside of the unit. The filter is placed conveniently right up against the side of the intake grill, allowing for quick cleaning without any disassembly required!



Smart Tilted Roof Design

The top of the Jet Towel Smart is tilted at a 12° angle to prevent users from leaving unwanted trash and other objects on the unit.



Specifications

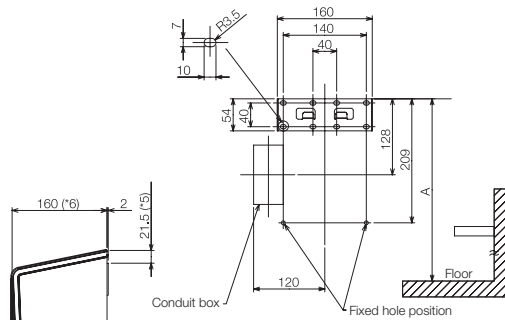
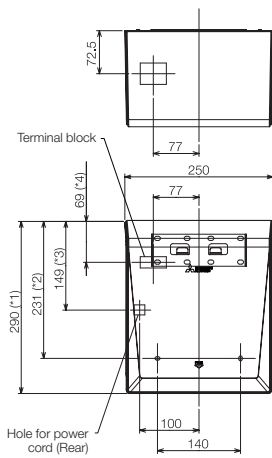
	Power supply	Mode	Heater	Drying time* ¹ (sec)	Power consumption (W)	Motor type	Noise* ² (dB)	Hygienic features	External dimensions (mm)	Weight (kg)
Jet Towel Smart JT-S2AP (Metal cover)	220-240V 50-60Hz	High	ON	9-12	880-980	Commutator motor	60-62	- Antibacterial surfaces - NSF certification - Alcohol-cleanable	Width: 250 Depth: 160 Height: 290	4.5
			OFF	10-13	630-730					
		Standard	ON	14-16	660-740		58-59			
			OFF	15-17	410-490					
Jet Towel Smart Lite* JT-S2A (ABS body)		High	—	10-13	630-730	60-62		Width: 250 Depth: 162 Height: 292	4	
		Standard	—	15-17	410-490	58-59				

* Jet Towel Smart Lite available only in white.

*1 Time needed to reduce remaining water to 50mg or less per hand (in-house study).

*2 Measurements made in anechoic chamber at a distance of 2m.

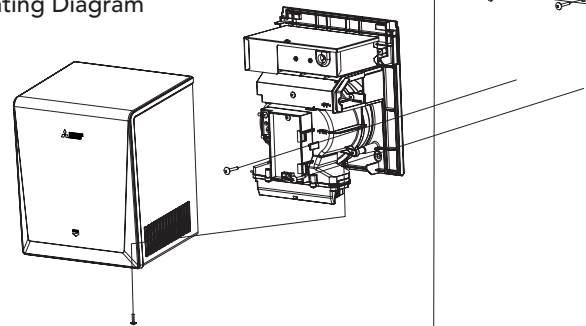
■ Dimensions



Bracket height recommendation

	A
Men	1355
Women	1255

■ Mounting Diagram



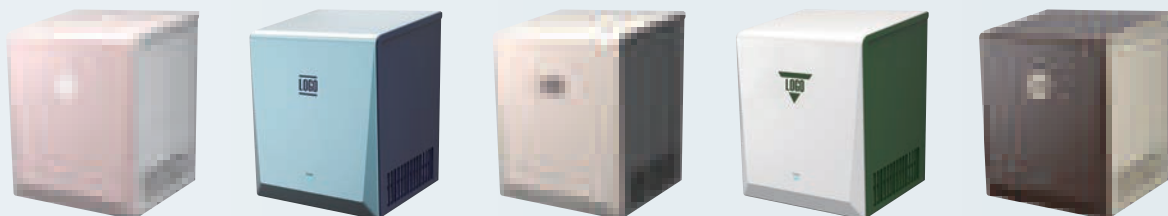
- *1 JT-S2A: 292
- *2 JT-S2A: 233
- *3 JT-S2A: 151
- *4 JT-S2A: 71
- *5 JT-S2A: 23.5
- *6 JT-S2A: 162

(Unit: mm)

• Please ensure that both sides of the unit are at least 100mm from all obstacles, including the wall.

Customized color options available

Jet Towel Smart and Smart Lite are available in customized colors for large orders. Your logo can also be added to give each unit a signature look. It's a great way to boost awareness and promote your business.



Jet Towel Mini



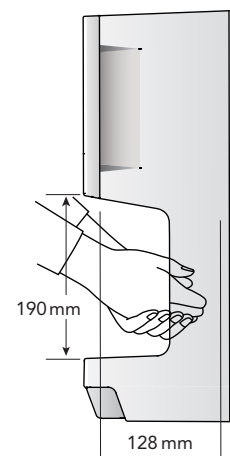
User-friendly Compact Model

- Antibacterial surfaces
- Designed for alcohol cleaning
- Quiet operation 52-64dB
- Drain tank
- Disabled friendly
- Power control switch
- PTC heater

Easy to use, for everyone

User-friendly Design

In addition to the large 5.2L drying area, the Jet Towel Mini features a water-catching tray and drain tank. Small children and people in wheelchairs will especially appreciate how the design prevents water escaping from the unit during use.



Fits almost anywhere

Perfect for Smaller Restrooms

Taking up a space of only 25cm x 48cm on the wall, the Mini can be installed in tight spaces, and even over counters and sinks.

Installable on Standard Walls

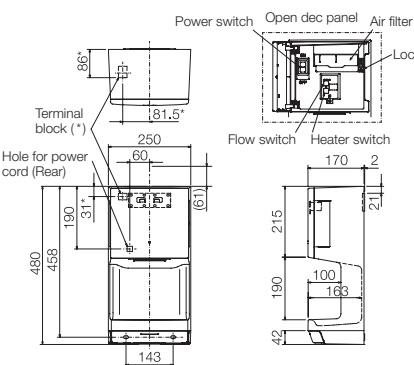
Jet Towel Mini can be installed on walls that are not treated for waterproofing. Since the water is contained within the unit, the risk of water damage to the building is greatly reduced.



Specifications

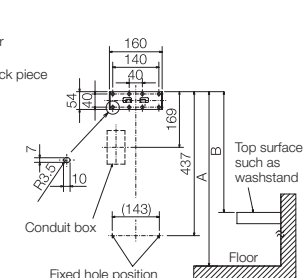
	Power supply	Mode	Heater	Drying time (sec)	Power consumption (W)	Noise (dB)	Motor type	Power cord	External dimensions (mm)	Weight (kg)	Drain tank (L)
Jet Towel Mini JT-MC206GS	220-240V 50-60Hz	High	ON	13-15	735-825	62-64	Commutator motor	None (terminal block connection)	Width: 250 Depth: 170 Height: 480	5	0.6
			OFF		475-560						
		Low	ON	24-27	390-455						
			OFF		175-220						

■ Dimensions



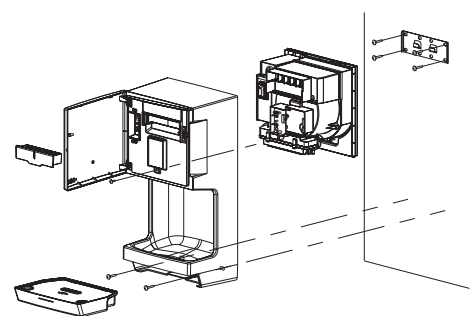
(Unit: mm)

■ Mounting Diagram



Bracket height recommendation

	A	B
Men	1290	570
Women	1190	570



- Please ensure that the left side of the unit is at least 100mm from all obstacles, including the wall.
- Please ensure that there is more than 150mm of space on the right side of the unit so the rating label can be read.

A few examples of our customers

Airport

Changi Airport (Terminal 1)
Singapore



Hotel

Hyatt Regency Paris
France



Educational Institution

Edith Cowan University
Australia



Museum

California Academy of Sciences
USA



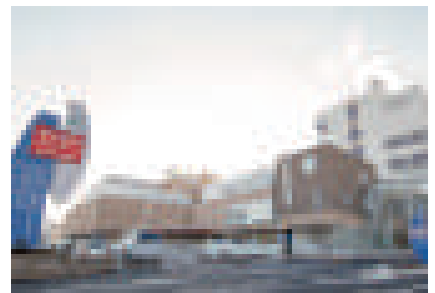
Retailer

Carrefour
France



Hospital

Aizawa Hospital
Japan



Retailer

Costco Wholesale Corporation
USA



Educational Institution

Sheffield University
UK



Office Building

Shanghai World Financial Center
China



“Jet Towel” is a trademark of Mitsubishi Electric Corporation.

More case studies on the Jet Towel App!

The Jet Towel App contains product information, a cost estimation tool, and much more!

Mitsubishi Electric Hand Dryer website

<http://www.mitsubishielectric.com/bu/handdryer/>



MITSUBISHI ELECTRIC CORPORATION

HEAD OFFICE : TOKYO BLDG., 2-7-3 MARUNOUCHI, CHIYODA-KU, TOKYO 100-8310, JAPAN

For Europe, Oceania, and South America